

MS magnetic scale installation guide for LM10 and LM15 readheads

EMC compliance



The LM10 and LM15 encoder systems conform to the relevant harmonised European standards for electromagnetic compatibility as detailed below.

BS EN 61326

Patents

Features of RLS's encoder systems and similar products are the subjects of the following patents and patent applications:

GB 0720972.9	EP 0514081
EP 0388453	US 5,241,173
US 5,063,685	JP 3,202,316
JP 2837483	

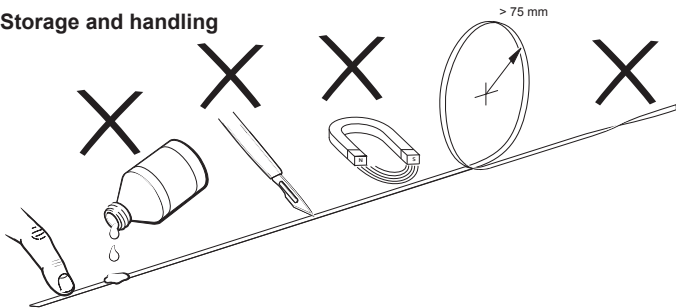
Further information

For further information relating to the installation of LM10 or LM15 encoder systems, see also the LM10 or LM15 Data sheet (part no. LM10D01 and LM15D01) and the LM10 or LM15 installation guide (part no. LM10D06 and LM15D02). These can be downloaded from www.rls.si.

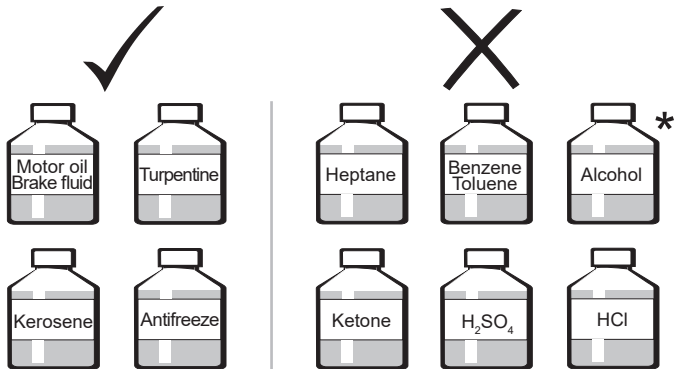
Disclaimer

Considerable effort has been made to ensure that the contents of this document are free from inaccuracies and omissions. However, RLS merilna tehnika d.o.o. makes no warranties with respect to the contents of this document and specifically disclaims any implied warranties. RLS merilna tehnika d.o.o. reserves the right to make changes to this document and to the product described herein without obligation to notify any person of such changes.

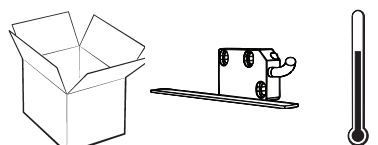
Storage and handling



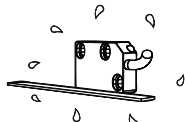
WARNING: The MS magnetic scale should not be exposed to magnetic field densities higher than 50 mT on its surface. Magnetic fields higher than 50 mT can damage the scale.



* Use of alcohol for cleaning is considered safe, however, it is not allowed to immerse the scale in alcohol.



Storage and operating -40 °C to +120 °C



Up to 100 % RH



LM10ASC00

LM10ARM00

System description

The LM10ASC00 applicator tool for magnetic scale is mounted in place of any RLS[®] LM10 or LM15 readhead and uses motion of the axis to apply the MS magnetic scale parallel to the guideway – a one man, one hit operation. The scale applicator tool consists of a guide plate, 2 spacers and 2 mounting screws.

The LM10ARM00 applicator tool is a self-aligning tool for stick-on reference mark.

Scale installation (including instructions for optional cover foil)

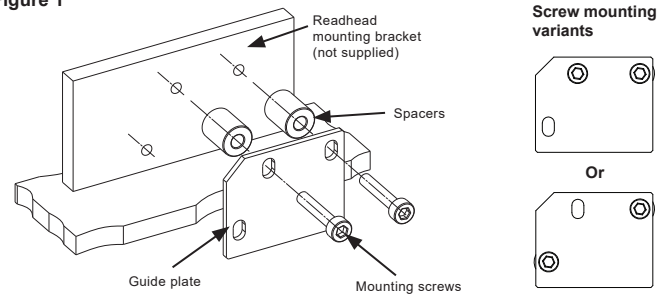
1. Prepare the mounting surface

Ensure the mounting surface for the magnetic scale has been cleaned and degreased before proceeding.

2. Install the applicator tool

Mount the applicator tool to the readhead bracket as shown in Figure 1. Use two screws as per readhead mounting configuration.

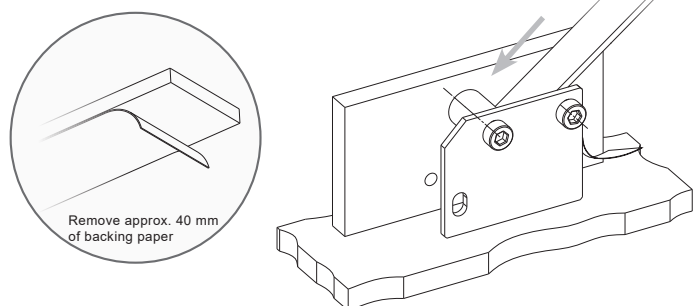
Figure 1



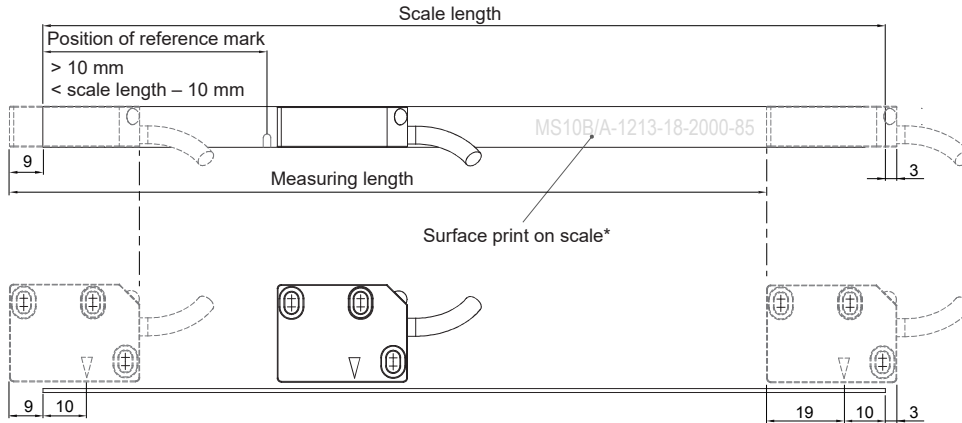
3. Load the scale into the applicator tool

Separate the backing paper from the first 40 mm of scale and feed the scale into the applicator tool as per Figure 2.

Figure 2



Scale installation drawing



Measuring length = Scale length – 20 mm

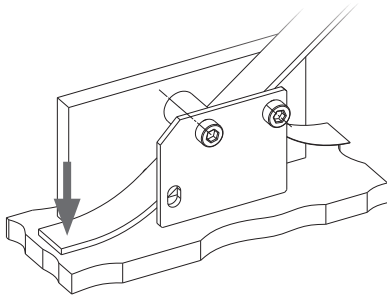
* The scale markings are shown for your orientation only.
The markings do not represent the actual ordering code.

Scale installation (continued)

4. Apply the scale

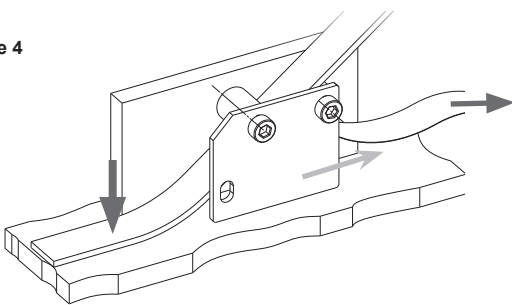
Push the scale carefully through to the end of scale mark, ensuring that it does not stick to the mounting surface until it is in position. Attach the end of the scale to the mounting surface with light finger pressure (Figure 3).

Figure 3



NOTE: To prevent the scale sticking to the mounting surface during this operation it may be necessary to re-apply approximately 20 mm of backing paper to the end of the scale before inserting through applicator tool.

Figure 4



Traverse the axis through its full travel at a slow, steady speed as per Figure 4. While moving the axis:

- Apply a light finger pressure to the scale behind the applicator tool to attach it to the mounting surface.
- Gently pull the backing paper away from the applicator tool as it is separated.

5. Ensure complete adhesion

Apply firm finger pressure along the full length of the scale from the centre outwards to each end.

6. Apply cover foil (if used)

Degrease the scale surface with alcohol and install as per scale installation instructions in step 3 onwards.

7. Remove the applicator tool

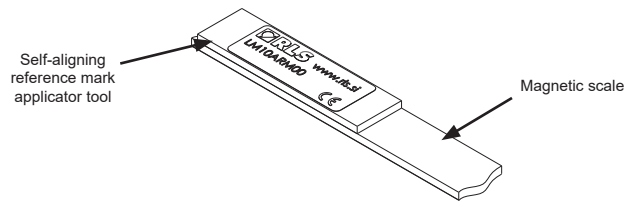
When the scale has been applied unbolt the applicator tool from the readhead mounting bracket.

The following steps apply for LM10 system only

8. Apply the stick-on reference mark (if used)

Place the LM10ARM00 reference mark applicator tool on scale in the correct orientation/required position along the length (Figure 5).

Figure 5

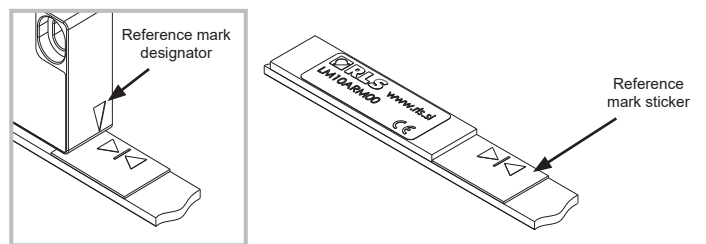


9. Stick the reference mark on the scale

Remove the backing paper from the reference mark sticker and carefully attach it to the surface of the scale by placing it next to the applicator tool (Figure 6).

NOTE: The correct orientation of reference mark is crucial. The mark on the sticker should be on the same side as the reference mark designators.

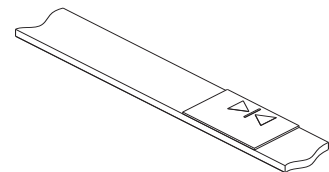
Figure 6



10. Remove the stick-on reference mark applicator tool

Remove the applicator tool leaving the reference mark sticker in the desired position (Figure 7).

Figure 7



DO NOT remove the scale for refitting or use elsewhere once it has been applied to the mounting surface. The scale can be applied once only.

Head office

RLS merilna tehnika d.o.o.

Poslovna cona Žeje pri Komendi
Pod vrbami 2
SI-1218 Komenda
Slovenia

T +386 1 5272100

F +386 1 5272129

E mail@rls.si

www.rls.si

This product is not designed or intended for use outside the environmental limitations and operating parameters expressly stated on the product's datasheet. Products are not designed or intended for use in medical, military, aerospace, automotive or oil & gas applications or any safety-critical applications where a failure of the product could cause severe environmental or property damage, personal injury or death. Any use in such applications must be specifically agreed to by seller in writing, and is subject to such additional terms as the seller may impose in its sole discretion. Use of products in such applications is at buyer's own risk, and buyer will indemnify and hold harmless seller and its affiliates against any liability, loss, damage or expense arising from such use. Information contained in this datasheet was derived from product testing under controlled laboratory conditions and data reported thereon is subject to the stated tolerances and variations, or if none are stated, then to tolerances and variations consistent with usual trade practices and testing methods. The product's performance outside of laboratory conditions, including when one or more operating parameters is at its maximum range, may not conform to the product's datasheet. Further, information in the product's datasheet does not reflect the performance of the product in any application, end-use or operating environment buyer or its customer may put the product to. Seller and its affiliates make no recommendation, warranty or representation as to the suitability of the product for buyer's application, use, end-product, process or combination with any other product or as to any results buyer or its customer might obtain in their use of the product. Buyer should use its own knowledge, judgment, expertise and testing in selecting the product for buyer's application, end-use and/or operating environment, and should not rely on any oral or written statement, representation, or samples made by seller or its affiliates for any purpose. EXCEPT FOR THE WARRANTIES EXPRESSLY SET FORTH IN THE SELLER'S TERMS AND CONDITIONS OF SALE, SELLER MAKES NO WARRANTY EXPRESS OR IMPLIED WITH RESPECT TO THE PRODUCT, INCLUDING ANY WARRANTY OF MERCHANTABILITY OR FITNESS FOR ANY PARTICULAR PURPOSE, WHICH ARE DISCLAIMED AND EXCLUDED. All sales are subject to seller's exclusive terms and conditions of sale which, where the seller is (a) RLS merilna tehnika d.o.o., are available at <https://www.rls.si/customer-service>, (b) Renishaw, Inc., are available at <http://www.renishaw.com/Shop/legal/en/-42186>, or (c) another person, are available on request, and in each case, are incorporated herein by reference, and are the exclusive terms of sale. No other terms and conditions apply. Buyer is not authorized to make any statements or representations that expand upon or extend the environmental limitations and operating parameters of the products, or which imply permitted usage outside of that expressly stated on the datasheet or agreed to in writing by seller.

RLS merilna tehnika d.o.o. has made considerable effort to ensure the content of this document is correct at the date of publication but makes no warranties or representations regarding the content. RLS merilna tehnika d.o.o. excludes liability, howsoever arising, for any inaccuracies in this document. © 2018 RLS d.o.o.